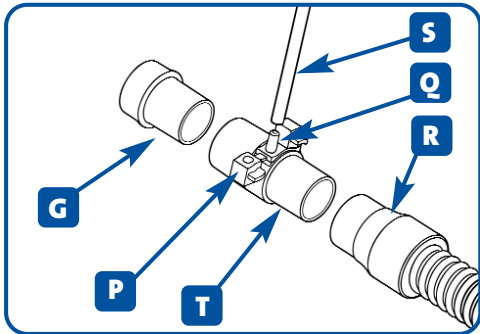


OXYGEN/PRESSURE PORT CONNECTOR

If pressure readings and/or additional oxygen are required, an Oxygen/Pressure Port Connector is available (Code 900HC452).

1. Connect the large end of the Connector (T) to the swivel (G) on the mask and the small end of the Connector to the main breathing tube (R).
2. Open the Port Cap(s) (P) and place the Pressure and/or Oxygen Tube (S) firmly over the Port(s) (Q).

(The two Ports are identical; either Port may be used for oxygen or pressure measurement. Only remove the Port Cap from Ports that are being used.)

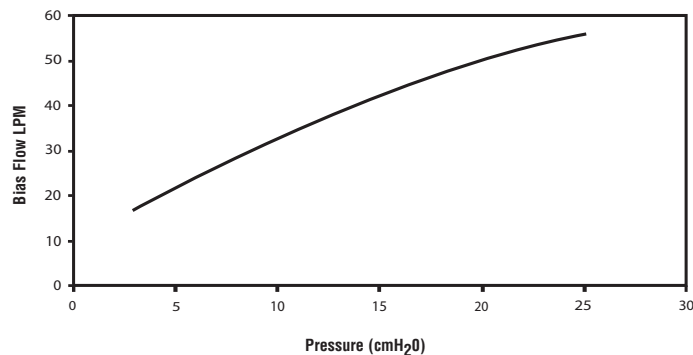


BIAS FLOW INFORMATION

Nasal masks for CPAP and Bi-Level have bias flow holes to expel the air that you exhale from the mask.

PRESSURE (cmH ₂ O)	3	5	7	9	11	13	15	17	19	21	23	25
FLOW (LPM)	17	23	28	32	36	39	42	46	48	52	53	56

FlexiFit HC407 Bias Flow



RESISTANCE TO FLOW

Pressure drop through mask @ 50 LPM
 Pressure drop through mask @ 100 LPM

0.1 cmH₂O
 0.4 cmH₂O

WARNINGS

- Use only with recommended CPAP or Bi-Level equipment. Consult your sleep technician for details.
- Operating pressure range is 3-25 cm H₂O.
- Do not use mask unless it is connected to a CPAP/Bi-Level machine that is running at a pressure of at least 3cm H₂O.
- Do not use the mask if vomiting or feeling nauseous.
- Do not block the gas exhaust ports. Before use, always ensure that gas is flowing out the exhaust ports.
- Discontinue using the mask if there is an allergic reaction to any part of the mask. Consult your physician if this occurs.
- If re-using the FlexiFit™ HC407 between different patients, refer to the Multi-Patient Cleaning Instructions for the FlexiFit™ HC407 nasal mask.

CAUTION

- Use the mask for its intended use only as directed in this booklet.
- US Federal Law restricts this device to sale by, or on order of a physician.
- Operating temperature range is 5-50°C (40-120°F).

US PATENT NUMBER 6 615 834

Other Patents Pending

FOR ADDITIONAL INFORMATION CONTACT YOUR LOCAL HOMECARE PROVIDER